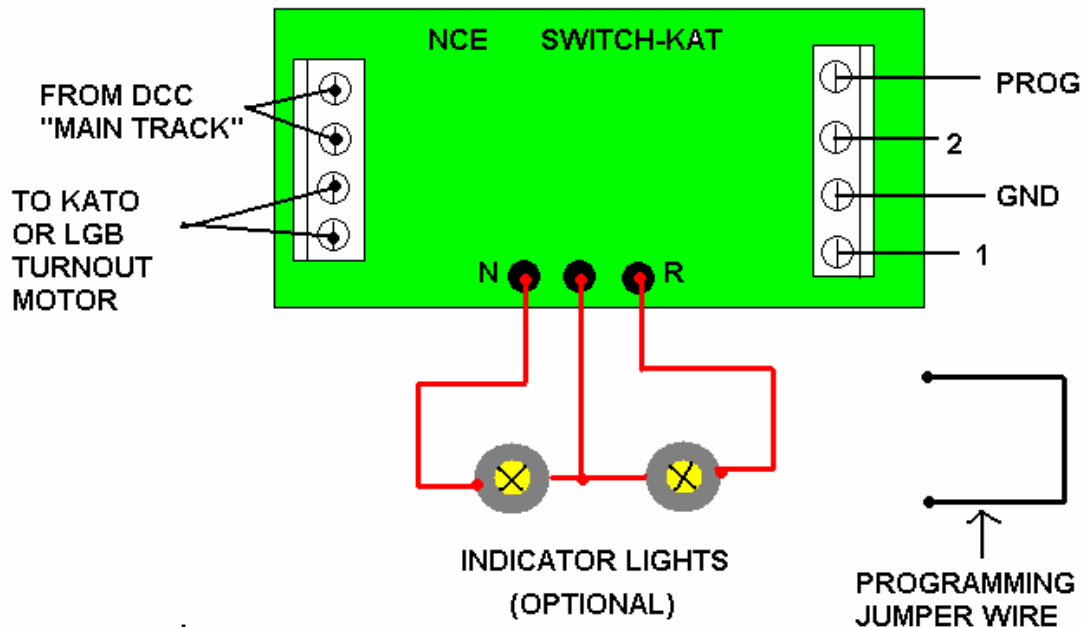


PROGRAMMING THE NCE SWITCH-KAT WITH THE PRODIGY ADVANCE, ADVANCE 2, WIRELESS AND PRODIGY ELITE

(CAN BE USED WITH THE PRODIGY EXPRESS WITH AN ADVANCE WALK AROUND)

Refer to the NCE instruction booklet that comes with your SWITCH-KAT for installation to your DCC system and turnout motors.



Once done with wiring the Switch-Kat properly, go to page 4 of the NCE instruction booklet for “Programming Information” to make sure you have the “Programming Jumper Wire” attached to the “PROG” and “GND” terminals of the Switch-Kat, (see above diagram).

To program Switch-Kat for MRC DCC systems:

1. Connect the “Main Track” outputs of the DCC base station to the Switch-Kats “Track” connections.
2. Connect the short “jumper” wire from the “PROG” terminal to the “GND” terminal. If you have the optional lights hooked up to the Switch-Kat they will both light up to indicate you are in the program mode.
3. On your MRC walk around press the “ACCY” button one time.
4. “ACCY _ _ _” shows on your display
5. Input the address you want for your Switch-Kat, (For example number 7)
6. Press the 7 button
7. Press “Enter”
8. “ACCY 1 or 2” Shows on your display

- 9. Press either button 1 or button 2 to lock in address 7 for the Switch-Kat**
- 10. To activate Switch-Kat # 7 anytime to throw the turnout...Just press the “ACCY” button. Press the 7 button, input either 1 or 2 to throw the turnout.**