

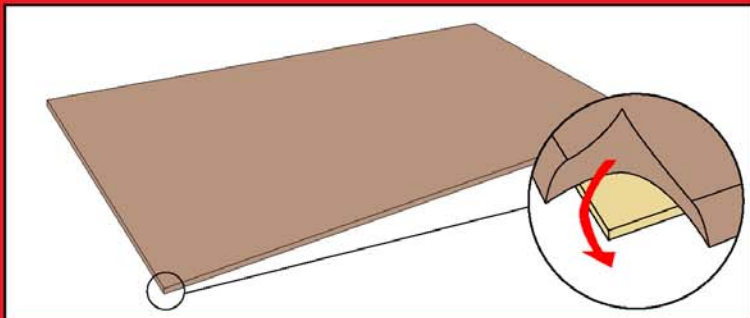
**Fig. 1**

**Standard 4'x8'x5/8" plywood**



**Glue the elevated track supports**

**Fig. 4**



**Fig. 2**

**Cover with thin carpet or felt & staple**



**Glue the elevated track supports**

**Fig. 5**



**Fig. 3**

**Build the track with all accessories**



**Nail the track sections 1/8" from the track edge**

**Fig. 6**

**Mounting MasterTrack layout against a wall**

**Hanging MasterTrack layout from the ceiling**

